

n

a



grain

by
jack flanagan

naudesign.com.au
info@naudesign.com.au
@nau_design

nau is a contemporary design brand, offering furniture, lighting, and accessories by a collective of Australia's most curious and talented designers.

u

grain

by Jack Flanagan, 2016

Honest, understated and versatile, the Grain stool is available in three heights and a variety of finishes. Comprised almost entirely of only two materials - aluminium and wood - Grain is handmade using the ancient industrial craft of sand-casting. The resulting design is defined by its refined quality, robust construction, unique tactility and subtle details.



variations & dimensions

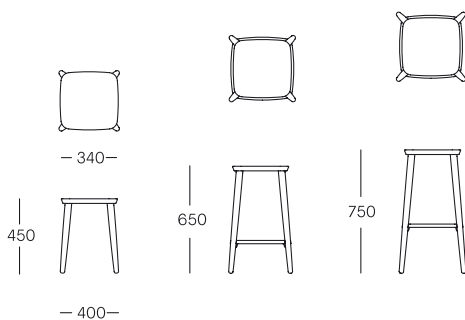
grain - stool

Seat & Footrest: Aluminium in Black or White Powdercoat

Legs: Ash, Black Stained Ash, Oak, Walnut

Dimensions:

- Stool: 350W x 350D x 450H mm
- Kitchen: 390W x 390D x 650H mm
- Bar: 400W x 400D x 750H mm



jack flanagan

Hailing from Western Australia, Jack Flanagan is an industrial designer inspired by the junction where engineering and art meet. His design objective is to create objects that will last the test of time, both physically and aesthetically.

Working out of a small workshop in Perth, Flanagan's designs are beautifully crafted by hand. He enjoys the manufacturing process; testing new methods and equipment to create unique objects that push the boundaries and apply familiar approaches in unfamiliar ways. Naming John Lautner as one of his design inspirations, Flanagan's work is thoughtful, resolved and timeless.

n
a
u

naudesign.com.au
info@naudesign.com.au
@nau_design