

n

a

u



takushi

by
gavin harris

naudesign.com.au
info@naudesign.com.au
@nau_design

nau is a contemporary design brand, offering furniture, lighting, and accessories by a collective of Australia's most curious and talented designers.

takushi

by Gavin Harris, 2017

Elegant, functional and adaptable, Takushi features a folded steel leg detail that appears to float independently from the table top. It is designed with a limited number of components, reducing its cost and environmental impact. The table top is available in timber veneer or laminate.



variations & dimensions

Takushi Table

Top: Black/ White Laminate or Timber in Ash, Black Stained Ash, Oak or Walnut

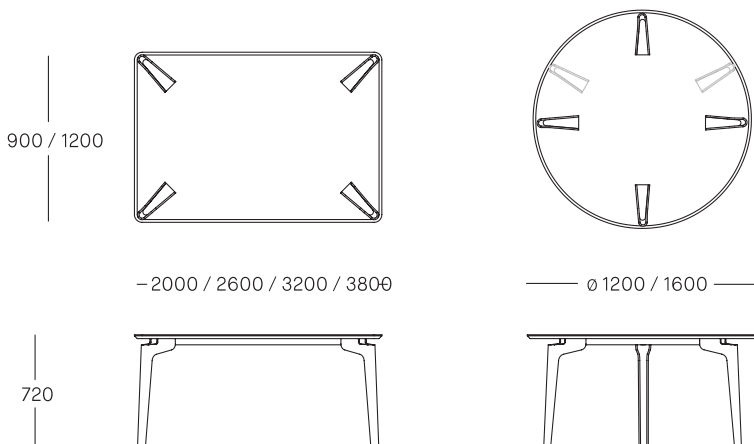
*Base: Black, White, Silver, Bronze and Eucalypt (Green)
Powdercoat*

Dimensions:

- *Rectangle: 2000W / 2600W x 900D x 720H mm*
- *Rectangle: 3200W / 3800W x 1200D x 720H mm*
- *Round: Ø1200 (3 legs)/ Ø1600 (4 legs)x 720H mm*
- *Square: 900W / 1200W x 900D / 1200D x 720H mm*

Other: Available with or without table box.

For tables larger than 2000 mm W/D, support rails required.



gavin harris

Gavin Harris is a futurist; ultimately inspired by how people will live and move around in the future. By day, he is the Design Director at commercial interior design firm, Futurespace. In his spare time, he fuels his passion for product design. Resourceful and fresh-thinking, Harris loves the design development phase and finds great joy in sketching and prototyping his ideas. He has a Bachelor of Applied Science in Built Environment from Queensland University of Technology, giving him a unique foundation to approach design briefs.

n
a
u

naudesign.com.au
info@naudesign.com.au
@nau_design