



Series of tables and coffee tables with tops in poplar plywood connected with aluminum, finished in natural or wenge-stained oak, in Santos wood or polished lacquer in all the colors of the collection. The coffee table is also available with a Calacatta white marble top. Base in anodized aluminum.

Materials used_

Top:

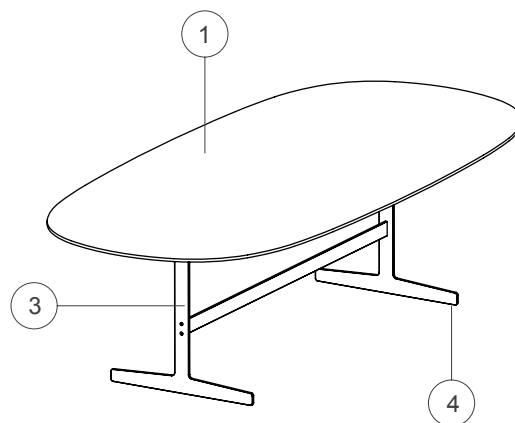
1. Poplar plywood laminated with aluminum, lacquered in the colors shown in the catalog or veneered in natural oak or wenge stained open pore
2. Calacatta white marble

Base:

3. Natural anodized aluminum

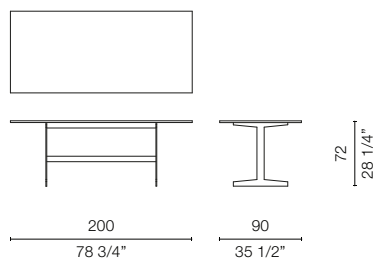
Feet:

4. White plastic

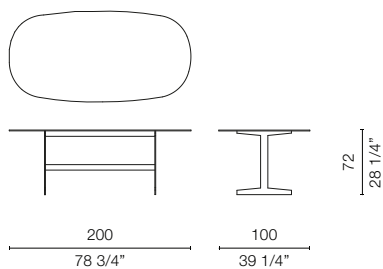


Dimensions_

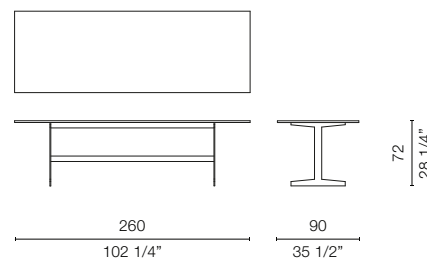
S8_T1



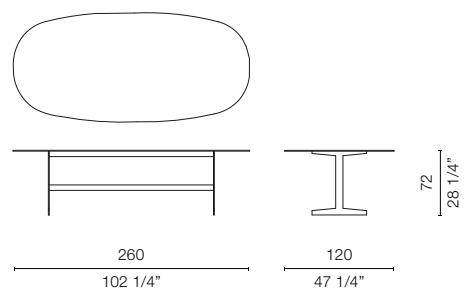
S8_T2



S8_T3



S8_T1



S8_P1

