

# STEEL PIPE DRINK TROLLEY

Shiro Kuramata

cappellini



Serving trolley on castors. Iron structure finished in black lacquer, with white laminate shelves. Based on the original prototype dating back to 1968.

## Materials used\_

### Structure:

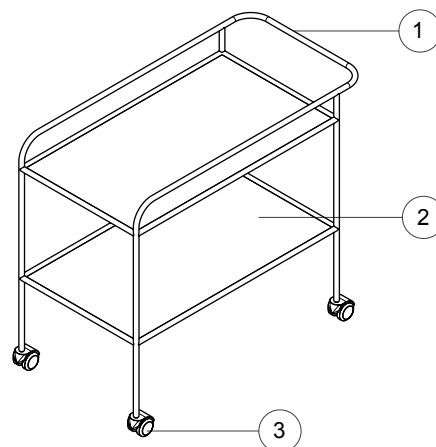
1. Matt black epoxy powder painted iron tube

### Shelves:

2. White thick laminate

### Caster:

3. Matt black carter, grey plastic caster available for semisoft surfaces



## Dimensions\_

### PC\_21



82  
32 1/4"

41,5  
16 1/4"

69,5  
27 1/4"

