

WOODEN CHAIR

Marc Newson

cappellini

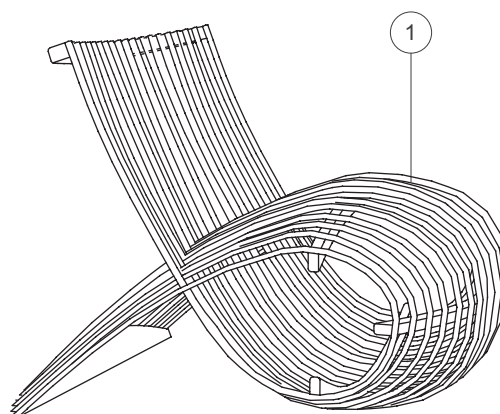


Small armchair manufactured in bent natural beech heartwood.

Materials used_

Structure:

1. Profiles in solid natural beech plywood treated with oil, assembled using steel screws.



Dimensions_

MN_30



86
14"
70
27 1/2"

82
32 1/4"

103
40 1/2"

