



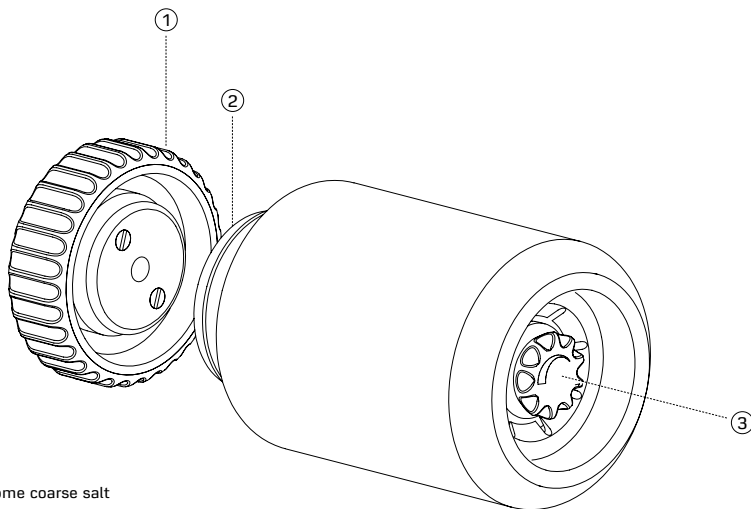
VIPP 263

SALT AND PEPPER MILL

vipp

How to use:

- ① Pull off the top piece
- ② Fill cannister with salt or pepper
- ③ Specify the coarseness by adjusting the grey wheel clockwise for finer, anti-clockwise for coarser



How to clean:

With salt

In most cases you can clean your mill by grinding some coarse salt

With water

For a more thorough cleaning, unscrew the grey adjusting wheel

- take out the ceramic cone
- let the cone soak in hot water

Make sure that the cone is completely dry before mounting and grinding again. Let it dry at least 24 hours.