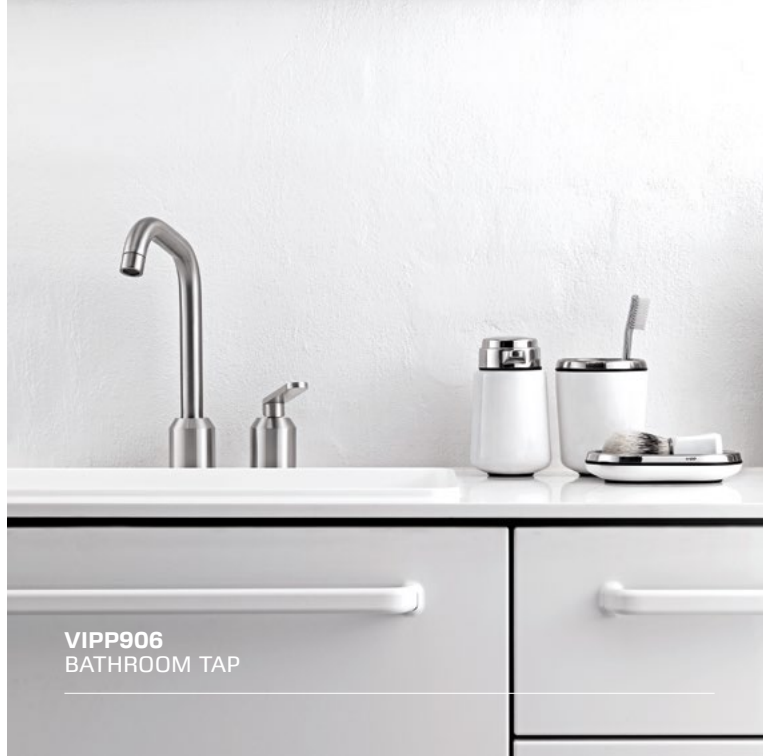
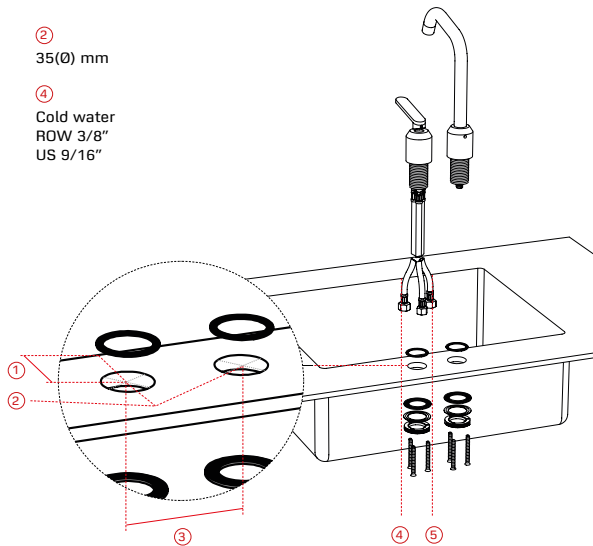


INSTALLATION INSTRUCTIONS

- ① 50 mm
- ② 35(Ø) mm
- ③ 80 mm
- ④ Cold water
ROW 3/8"
US 9/16"
- ⑤ Hot water
ROW 3/8"
US 9/16"



VIPP906
BATHROOM TAP

VIPP906 BATHROOM TAP

Flow:

Bar:	1	3	5
l/m	6	9,6	12,6



20046



GODKENDT
TIL DRIKKEVAND

VA: An assessment that assure the product fulfil the Danish requirements defined in the Danish Building Regulation as well as related norms and guidelines.

NSF: Certification to NSF/ANSI Standard 61 ensures that the product meets theregulatory requirements for the U.S. and Canada, and it can often meet or fulfill the testing requirements for many other countries as well

GDV: Approval of building components that come into contact with drinking water. Based on Danish legislation.

