

n

a



broad

by
kate stokes

naudesign.com.au
info@naudesign.com.au
@nau_design

nau is a contemporary design brand, offering furniture, lighting, and accessories by a collective of Australia's most curious and talented designers.

u

broad

by Kate Stokes, 2021

Named after its distinctive scale and slimline silhouette, Broad is a classic yet contemporary pendant that creates intimacy in even the largest of spaces. Offering a soft diffusion of light with an ambient, even glow, Broad was designed to be placed above the centre of a table – from dining to meeting. Striking enough to command attention yet streamlined enough to fit in within any space, Broad does more than just illuminate; it centres conversations, focus and atmosphere. With a single stem-like hanging point, Broad is available with either a 500mm or 800mm width diameter, in a colour palette of black, white or eucalypt.



variations & dimensions

broad pendant

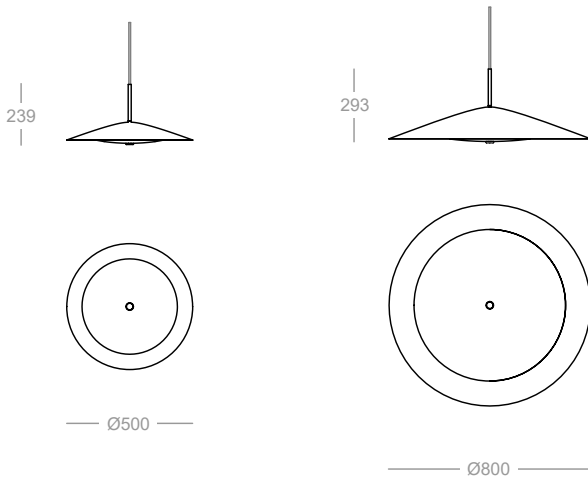
Finishes: Black, White and Eucalypt(Green) Powdercoat

Dimensions:

• Ø 500 x 239H mm

• Ø 800 x 293H mm

Other: 3m adjustable flex cord



kate stokes

An advocate of 'slow design', Kate Stokes is fastidious in her pursuit of quality design through detail; finding joy in creating products with personality, designed to last a lifetime

Originally from Western Australia, Stokes studied Industrial Design at Curtin University in Perth before moving to Melbourne to start her own design studio, Coco Flip, together with husband and business partner, Haslett Grounds.

Working from their studio within a collective warehouse space designed to support and promote small businesses in the heart of Melbourne's creative district, Stokes is a passionate supporter of local industry through her designs, from material to production.

n
a
u

naudesign.com.au
info@naudesign.com.au
@nau_design