

## TS Outdoor Coffee Table - Round- Ø80

Designed by GamFratesi - 2014



**ITEM NUMBER**

TS Outdoor Coffee Table - Round, Ø80

44205

**DESCRIPTION**

The TS Collection is already well known and appreciated among design lovers for its ability to suit any interior and setting. Now, the black-based TS Side and Coffee Tables are getting the outdoor treatment. The luxurious tabletops, in beautifully veined white travertine, complement the sharp, geometric bases in powder-coated stainless steel, and enable the collection's stylish interior aesthetic to cross the threshold into the open air.

### Materials & Finishes

**BASE FINISH**

Black powder coated stainless steel



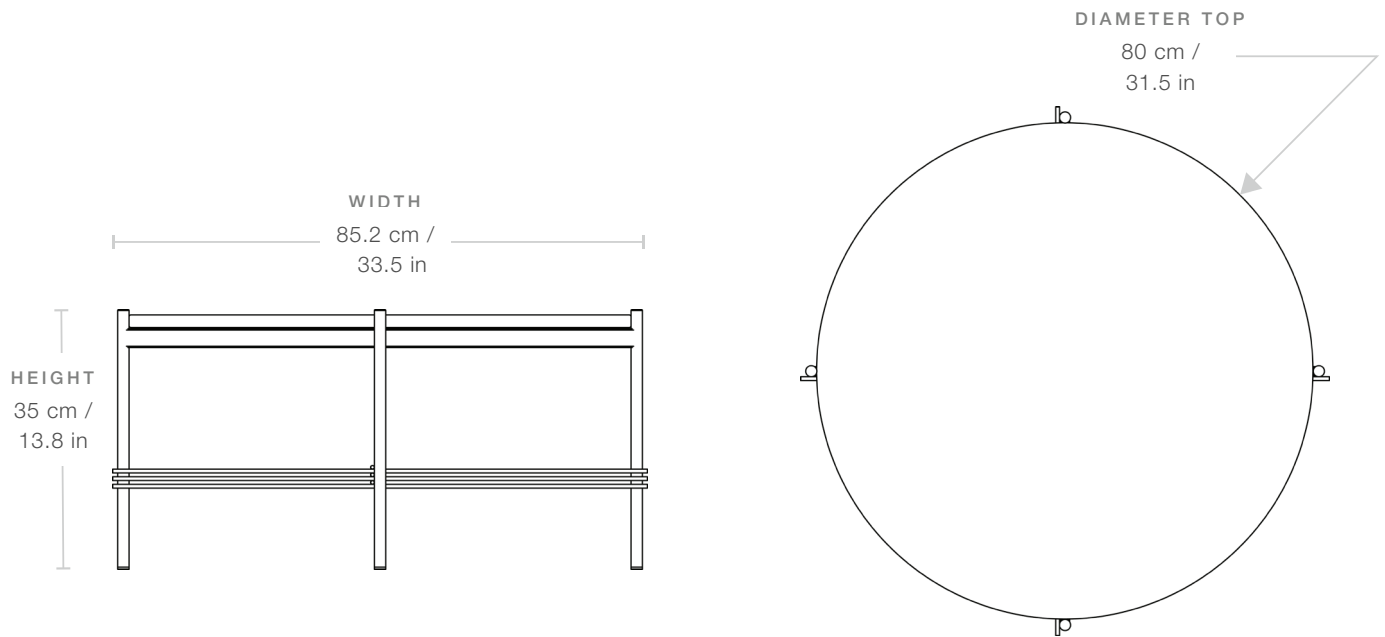
**TABLE TOP FINISH**

White Travertine Stone (Outdoor)

**MATERIALS**

Stainless steel, travertine

## Dimensions

**WIDTH** 85.2 cm / 33.5 in**HEIGHT** 35 cm / 13.78 in**TABLE TOP THICKNESS** 2 cm / 0.8 in**DIAMETER LEG** 1.4 cm / 0.6 in

## Weight

**TOTAL WEIGHT** 31.5 kg / 69.4 lbs**LEGS WEIGHT** 4.5 / 9.9 lbs**TABLE TOP** 27 kg / 59.5 lbs

## Packaging

**NUMBER OF PARCELS** 2

---

**PARCEL 1 (TABLE TOP)**

<b>PACKAGING LENGTH</b>	90.4 cm / 35.6 in
<b>PACKAGING WIDTH</b>	90.4 cm / 35.6 in
<b>PACKAGING HEIGHT</b>	6 cm / 2.4 in
<b>PACKAGING WEIGHT</b>	14 kg / 30.9 lbs
<b>GROSS WEIGHT)</b>	41 kg / 90.4 lbs

**PARCEL 2 (TABLE FRAME)**

<b>PACKAGING LENGTH</b>	65 cm / 25.6 in
<b>PACKAGING WIDTH</b>	65 cm / 25.6 in
<b>PACKAGING HEIGHT</b>	37.9 cm/ 14.9 in
<b>PACKAGING WEIGHT</b>	1 kg / 2.2 lbs
<b>GROSS WEIGHT)</b>	5.5 kg / 12.1 lbs

---

<b>SUSTAINABILITY</b>	Parts can be separated and sorted for recycling
-----------------------	---

---

**Glides**

<b>PLASTIC GLIDES</b>	Included as standard
-----------------------	----------------------

---

<b>KEY FEATURES</b>	Suitable for outdoor use
---------------------	--------------------------

---