

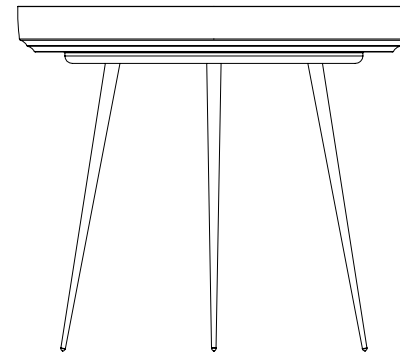


**Considering the planet,  
its resources and its people.**

@materdesign

[www.materdesign.com](http://www.materdesign.com)

# mater



## **Bowl Table, Medium**

Designed by Ayush Kasliwal

Thank you for purchasing the Bowl Table

# Bowl Table Waste Edition, Medium

Coffee or wood waste mixed with upcycled industrial plastic



**Designed by**  
Ayush Kasliwal

**Dimensions**  
Ø 46 cm H 52 cm / Ø 18.1" H 20.5"

**Weight**  
6,2 kg / 13,7 lbs

**Gliders**  
Hard plastic gliders installed as standard

**Materials**  
Coffeebean shells from BKI's coffee roasting process mixed with upcycled industrial plastic waste from GROHE.

Black powder coated steel legs

**Finish**  
Coffee Waste Black, Coffee Waste Light, Grey Waste

## Maintenance guide

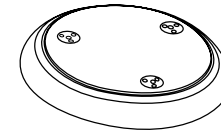
Please note that the bowl is handcrafted and made from nature fibers, and plastic waste - minor blemishes and imperfections may be visible. These are not considered defects and do not interfere with the quality and function of the product. Always remove stains quickly before they can do any permanent damage to the furniture. When you move your furniture make sure you lift it rather than pulling or pushing it to avoid damaging the floor, legs and mountings. Avoid improper use such as tilting, putting your feet on the furniture or standing on it. Be careful not to damage or scratch the surface with sharp objects. Minor spots of rust under the furniture and bases are considered as a natural result of general use.

## Cleaning

Wipe with a clean cloth wrung in water or in a solution of water and a neutral detergent. Remove soap residue immediately using a clean dry cloth. Avoid using scouring cream or scouring pads, as they may scratch the surface. Minor scratches or damage to the powder coated surfaces can lead to corrosion. The life expectancy of your furniture will vary depending on the type of use.

## Assembly instructions

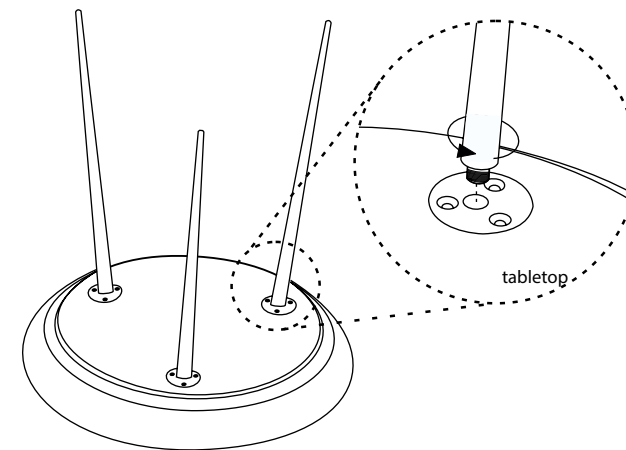
### Components



1 x Top panel



3 x Legs



Carefully position table top upside down onto clean, padded surface. Insert threaded studs of each leg into corresponding holes of the table top. Turn each leg clockwise to secure.

### Made from upcycled industrial waste

Bowl Table is the result of a new innovative waste-to-value technique developed by Mater, that enables us to upcycle companies' industrial waste. The plastic waste from GROHE is mixed with coffee shells from BKI coffee - one of Denmark's largest coffee manufacturers or wood waste collected from the construction of wooden furniture from KVIŠT.