



n

a

strand by
adam cornish

naudesign.com.au
info@naudesign.com.au
@nau_design

nau is a contemporary design brand, offering furniture, lighting, and accessories by a collective of Australia's most curious and talented designers.

u

strand

by Adam Cornish, 2017

The philosophy behind Strand is that the whole is greater than the sum of the parts; each component works with the other to create pieces that rely solely on their unison.

Inspired by the vintage steel furniture from the 1950s, the collection is made from simple, tactile materials, chosen for their honesty and ability to age with dignity. Taking cues from braided steel cables, three aluminium 'strands' work in unison to create the outline of the design. Quaint, intricate and tactile, Strand is humble enough for homes and cafes, yet strong and ergonomically suited to commercial applications.

variations & dimensions

strand chair

Finishes (Frame): Black, White

Finishes (Shell): Oak, White Painted Oak, Black Painted Oak, or Upholstery: in selected *Nau standard fabrics & leathers*

Dimensions: 540W x 510D x 790H mm

strand table

Finishes (Legs): Black, White, Silver, Eucalypt

Finishes (Top): Natural Oak, Ash, Walnut or Black Stained Ash Veneer

Dimensions:

• *rectangle:* 900 / 1200 / 1400 / 1800W x 900 / 1200D x 730H mm

• *round:* Ø1200 / Ø1600 x 730H mm

Other: Custom sizes available

strand bistro + bar table

Finishes (Legs): Black, White

Finishes (Top): Natural Oak, Ash, Walnut or Black Stained Ash Veneer

Dimensions:

• *Round* Ø650 - Ø800 x 745H/1095H mm

• *Square:* 500W x 500D - 850W x 850D x 745H/1095H mm

Others:

- Height adjustable foot or fixed height foot available
- Folding top available for Ø650 - 800 mm Bistro table only
- Custom table top sizes available
- Outdoor version available



adam cornish

The scope of Adam Cornish's work includes an impressive range of design disciplines, from furniture and household innovation, to commercial and residential installations.

Cornish's interest in design stems from his curiosity into the 'how'; how things are made, how they perform and how they will endure the test of time.

After studying Industrial Design at the University of Technology Sydney and Furniture Design at Royal Melbourne Institute of Technology, Cornish is now based in Melbourne, with products represented by luxury Italian brand Alessi.



n
a
u

naudesign.com.au
info@naudesign.com.au
@nau_design

chair dimensions

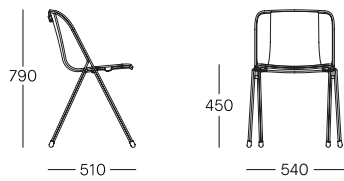
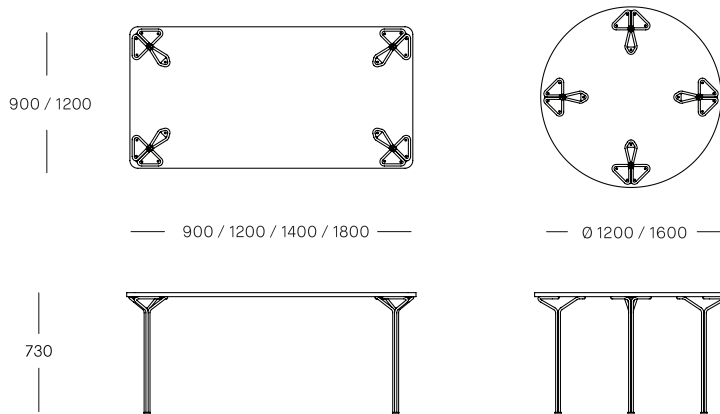
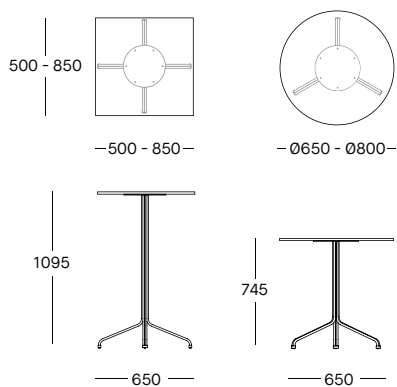


table dimensions



bistro + bar table dimensions



n
a
u