



n

a

banksia

by

zachary hanna

naudesign.com.au
info@naudesign.com.au
@nau_design

nau is a contemporary design brand, offering furniture, lighting, and accessories by a collective of Australia's most curious and talented designers.

u

banksia

by Zachary Hanna, 2021

Named after the vibrant reds, rich yellows and deep oranges of the Australian native flower, Banksia is an oil lamp designed to accompany entertaining outdoors. Banksia's glass diffuser creates a soft glow that dances and reflects upon the spun aluminium frame, offering light, ambience and even optional insect repelling oils. Resting within a sculptural cage that doubles as a handle for convenient movement, Banksia is a lively and captivating alternative to portable LED Lamps.

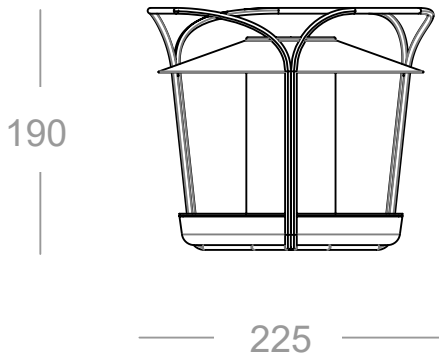


variations & dimensions

banksia

Finishes: Black Powdercoat, Olive Powdercoat, Deep Red

Dimensions: 225D x 225W x 190H mm



zachary hanna

Zachary Hanna is a Sydney-based designer who creates objects, products and furniture.

He is interested in the way in which people interact with the objects around them, and he investigates this relationship throughout his work.

Hanna's design process centers on solving problems by producing functional and beautiful solutions.

n
a
u

naudesign.com.au
info@naudesign.com.au
@nau_design