

# FRITZ HANSEN



PLENUM™  
PRODUCT FACT SHEET

# PLENUM™

The Plenum™ by Jaime Hayon offers a sculptural and flexible solution for private conversations and informal meetings in large open spaces. It provides more opportunities for interactions while adding a distinct and appealing design element to the office. This versatile high-back sofa comes with a vast array of customisation possibilities as well as integrated screen and electrification options, making it suitable for creating private meeting areas in open spaces of different sizes.

## PRODUCT TYPE

Sofa and table

## ENVIRONMENT

Indoor

## DESIGNER / YEAR OF DESIGN

Jaime Hayon, 2018 & 2023

## ABOUT THE DESIGNER

Born in Spain (1974), artist and designer Jaime Hayon takes inspiration from different cultural sources ranging from baroque, circus and skateboard culture. His body of work conveys warmth, humour and playfulness. Hayon's approach to design has enriched the Fritz Hansen collection since 2011 with a series of enduringly popular designs.

## MODELS

Sofa units:

JH1001: 1-seater

JH1002: 2-seater

JH1003: 3-seater

JH1004MU: Plenum™ Cabin

JH1004MUT: Plenum™ Cabin w/Table (JH71)

JH1004MUTS: Plenum™ Cabin w/Table (JH72)

and screen ready\*

Table units:

JH70: Side sofa table (mounted to sofa unit, w. swivel)

JH75: Low table

JH80: High table

JH71: Table without power solution\*\*

(Pairs only with JH1004MUT)

JH72: Table with power solution\*\*

(Pairs only with JH1004MUTS)

## MATERIAL

**Shell:** Seat, back and side cushions are made of cut HR foam, to ensure durability and comfort. Screens and neck cushion are made of molded low emission HR MDI polyurethane foam with embedded steel or plywood support.

**Tabletop:** The tabletops come in light grey HPL laminate and consists of a 19 mm/0.7" particle board with a 1 mm/0.03" black ABS edge.

**Base:** The steel base for both sofa and table units is made of black powder coated steel. All bases are mounted with adjustable plastic gliders (PA).

Materials in %:

JH1001: Steel 40%, PUR 38%, Plywood 17%, Fabric 5%

JH1002: PUR 35%, Steel 33%, Plywood 25%, Fabric 7%

JH1003: PUR 35%, Steel 31%, Plywood 27%, Fabric 7%

JH70: HPL particleboard 49%, Steel 51%\*

JH75: HPL particleboard 67%, Steel 33%

JH80: HPL particleboard 61%, Steel 39%

\*Without embedded standard base

## FEATURES

- Power unit incl. USB ports (PU01). PU01 are not available in KR, JP and CN.
- Power solution for the table (PU02) is not included in the price of JH1004MUTS and follows the order of table JH72.
- PU02: We offer a standard power frame including 2 x power socket outlets, 1 x USB-A and 1 x USB-C (CM Mini Port Replicator). The power solution is ordered separately.

## UPHOLSTERY

Plenum™ comes fully upholstered in a wide range of textiles. For Plenum™ cabin only, single textile or a mix of two textiles is option. One textile for the shell and one for the cushions:

Christianshavn™

Category 1:

- Canvas, Capture, Fame, Remix, Tonus, Messenger

Category 2:

- Divina, Divina Melange, Divina MD, Fiord, Hallingdal, Rewool, Steelcut, Steelcut Trio

Designer selection for Plenum™ Cabin:

- Renewed Loop: 67133/67131, 68292/68290

## MADE-TO-ORDER

Non-standard configurations (special colours, upholstery etc.) are available upon request at a minimum order quantity.

## CERTIFICATION

*To be announced.*

For more information about environment and manufacturing processes, please download our environmental information sheet at: [fritzhanzen.com](http://fritzhanzen.com)

## TEST

Plenum™ is created to stand the test of time and rigorous daily use in a wide variety of different environments - from a well-attended airport lounge to an open multifunctional office.

Sofa units:

- EN 16139 (EN 1728) Test Level 2 Severe Contract use for strength and durability
- EN 1022 for stability

Table units:

- EN 15372 (EN 1730) - Test level 2 Severe Contract use for strength and durability
- EN 1730 for stability

## TECHNICALITIES

**Power unit:** Every version of the Plenum™ sofa units has the possibility of a clip-on power unit in black, which includes one regular plug and two USB (1,5A) ports; the power unit shall be mounted with two screws under the sofa. The power unit comes with a 3 m/118.1" power cord.

**Side table:** Can be mounted as a left or right side table, the table moves approx. 86°. The side table must be ordered together with a sofa unit and it is not interchangeable.

For JH1004MUTS: Plenum™ Cabin w/Table:  
The TV mount, VESA Standard 75×75, 100×100 or 200×200, max 27", max 25 kg. is included in the price of JH1004MUTS and follows the order of table JH72.

Power Solution (not included in the price of JH1004MUTS)

The power solution (PU02) for JH72 is ordered separately.

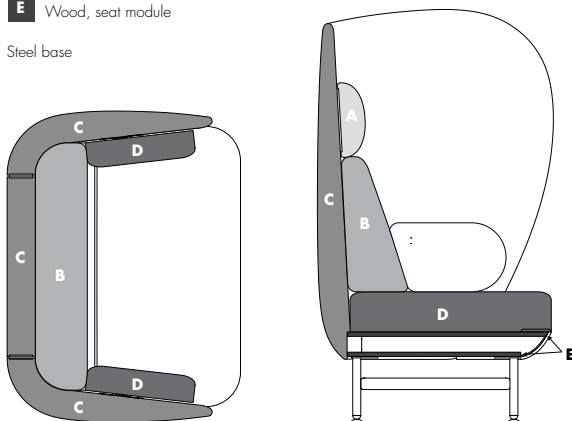
PU02: We offer a standard power frame including 2 x power socket outlets, 1 x USB-A and 1 x USB-C (CM Mini Port Replicator)

Power frame is available in EU, GB, CH, KR, JP and CN  
Requests for customized power solutions should be directed at Sales Support.

**Upholstery:** The upholstery can easily be replaced on the seat, back and side cushions exposed to most wear and tear. Foam: Below is an overview of the foam used for the padding of the sofa units:

- A** Molded-foam, neck cushion (Soft)
- B** Cut foam back-cushions (soft)
- C** Molded foam, panels (Soft)
- D** Cut foam seat-cushions (firm)
- E** Wood, seat module

Steel base



## WEIGHT

### Sofa units:

JH1001: 63,0 kg / 138.9 lbs  
JH1002: 92,0 kg / 202.8 lbs  
JH1003: 120,0 kg / 264.6 lbs

### Table units:

JH75: 24,0 kg / 52.9 lbs  
JH80: 26,0 kg / 57.3 lbs

## COUNTRY OF ORIGIN

Lithuania (production)  
Poland (distribution)

## PRE-ASSEMBLED

The Plenum™ sofa units are delivered as “knock down” due to the size of the sofa. Therefore, the sofa is constructed to be assembled as easy and smooth as possible and with need of only two persons and a few tools. The modules are provided with pre-mounted metal threads to ensure durability and easy assembling/disassembling. Assembly guidelines will be included in the packaging.

## PACKAGING

The units are covered with a recycled plastic bag and shipped in a recycled cardboard box. All packaging material can be recycled.

## CLEANING AND CARE

**Upholstery:** Vacuum frequently on medium power. Remove wet stains by carefully dabbing with a lint-free cloth or sponge wrung in warm detergent-free water. If the stain remains, we recommend the chemical dry cleaning product K2R ([www.k2rbrands.com](http://www.k2rbrands.com)). No other chemicals or detergents can be used. This also applies to steam cleaning.

**NOTE!** Do not rub the material with force. This could damage the fabric and cause loss of colour. No upholstered furniture should be exposed to direct sunlight or be placed close to a radiator or fireplace.

**Laminate:** Wipe the surface with a clean cloth wrung in a solution of hot water and a universal cleaning detergent.

**Powder coated surfaces:** Use warm water and wipe with a clean, soft cloth. Clean with dish detergent as the occasion requires.

**NOTE!** Do not use solvents on coated frames.

## REPAIR, DISPOSAL AND REUSE

In case of repair and disposal the bases can be disassembled from the shell/tabletop. In case of disposal, bases can be sorted for recycling. Check local regulations for recycling options and whether there is potential for reuse. The back panels and armrests requires special handling due to the embedded steel frames - the armrests contain a small steel plate and the side panels contain small magnets.

## WARRANTY

Fritz Hansen provides a five-year warranty on standard products against defects in materials and workmanship.

On any material, fabric or leather, which is not listed in our price list on a specific product, the standard warranty is 2 years.

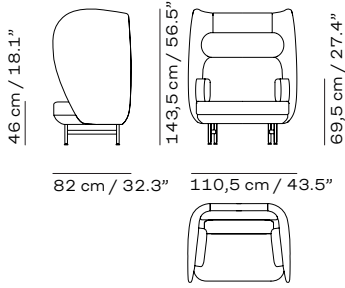
Additional warranty conditions can be found at: [fritzhanzen.com/warranty](http://fritzhanzen.com/warranty)

## SPARE PARTS

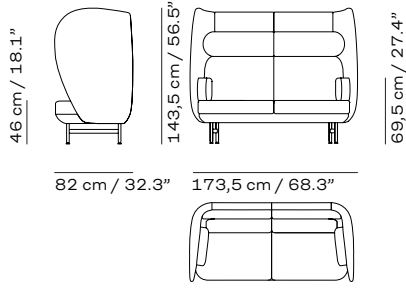
A range of spare parts can be found on: [fritzhanzen.com/en/Categories/Products/Spareparts](http://fritzhanzen.com/en/Categories/Products/Spareparts)

**DIMENSIONS**

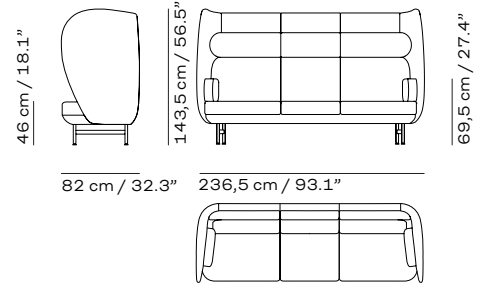
JH1001



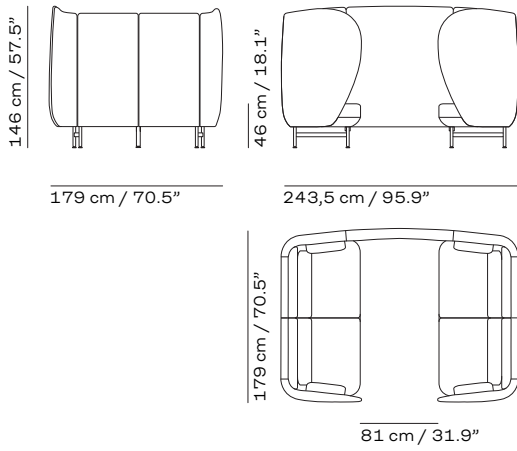
JH1002



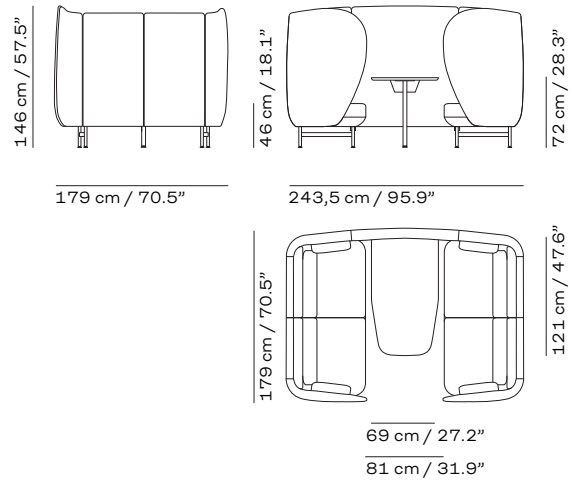
JH1003



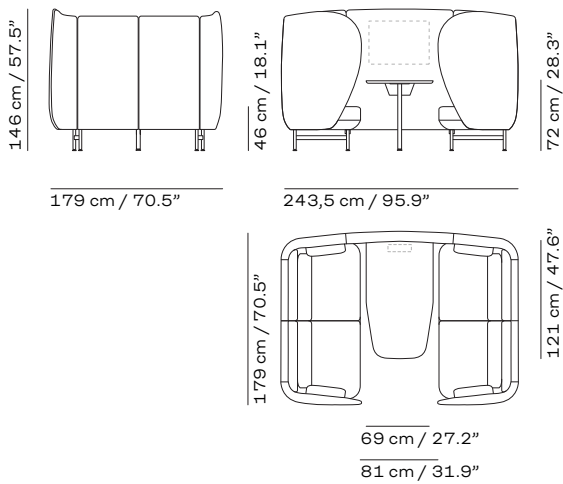
JH1004MU



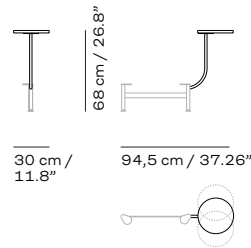
JH1004MUT



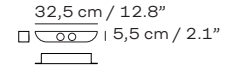
JH1004MUTS



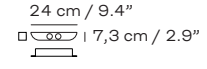
JH70



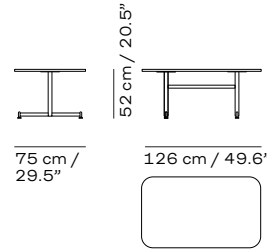
PU01



PU02



JH75



JH80

