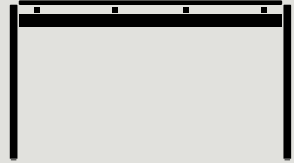


Instructions

Daystak Table RD2

Robin Day

1951



Please read these instructions carefully and retain them for future reference to ensure the product is used correctly. For your own safety, please study each step of this instruction manual before attempting installation. &Tradition is not responsible for any faults or damage caused by not following these instructions correctly. Do not modify this product in any way.

If you have any questions or comments, please do not hesitate to contact us by mail on: info@andtradition.com

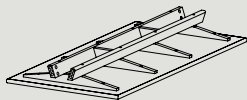
&Tradition[®]

Daystak Table RD2

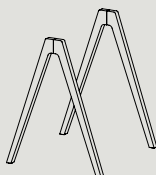
Robin Day

1951

A



B



C



D



Safety precautions

- Dispose of all rubbish from packaging responsibly and keep out of reach of children.
- The table is only intended for indoor use.
- Handle tabletop with care so as not to scratch the surfaces.
- Two or more adults are required when lifting the table.

Contents

- A** Table top with support rails and support rod
- B** Legs
- C** Screws
- D** Allen Key

Tools needed

- Allen Key
- Phillips Head Screwdriver
- Flat Head Screwdriver

Cleaning instructions

Lacquered Wood

For daily care it is recommended to dust the furniture with a soft cloth or brush. Lacquered wood can be cleaned with a soft cloth wrung in a mild solution of lukewarm water and a universal cleaning detergent. When wiping, always follow the wood grains and dry with a soft cloth immediately after cleaning. Avoid use of abrasive cleaning agents and aggressive detergents as this will damage the surface of the lacquered wood. Avoid placing or storing wooden furniture in direct sunlight, excessive heat or humidity.

Fenix

Fenix NTM Nano is a soft touch laminate, based on nano technology which is used for tabletops as an alternative to linoleum or standard laminate. The nano laminate offers unique features such as scratch resistance, low light reflectivity, anti-fingerprint, among other benefits.

For more details about the unique properties of nano laminate, as well as cleaning and maintenance refer to: www.fenixntm.com/en

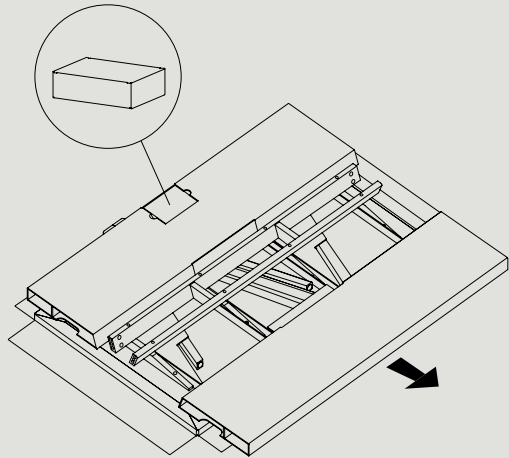
Please follow steps 1 to 6 to assemble the product.

Step 1 / 6

Place box flat on table or floor to avoid causing any damage during the assembly process.

Remove cardboard lid and inserts from their position.

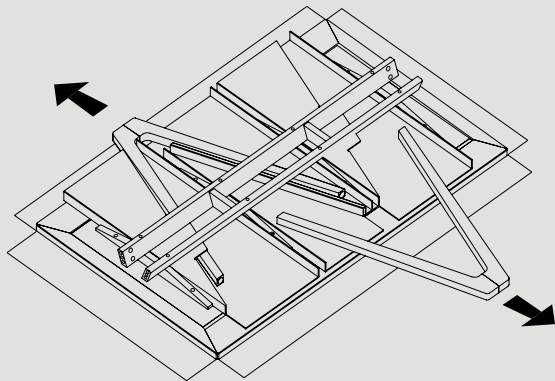
In one cardboard insert you will find a small box with all tools and parts needed.



Step 2 / 6

Pull out both legs sideways, ensuring to keep them flat to avoid causing damage to the product.

You can also remove the protective cardboard.

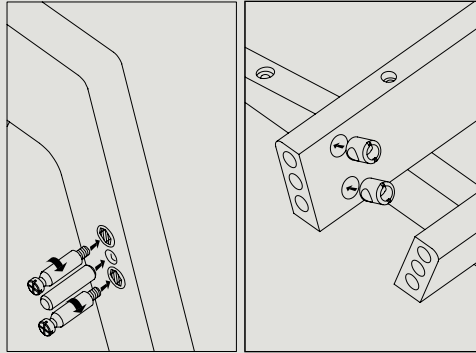


Step 3 / 6

Mount the male screws and dowels into both legs. You can use a Phillips head screwdriver to tighten if needed.

Place the female connectors in the inside of the support rod.

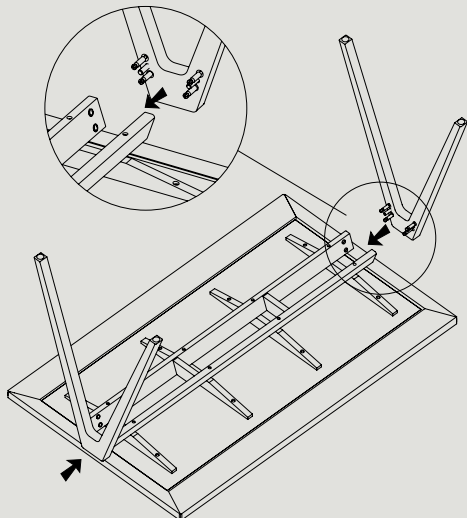
Make sure the female connector holes are aligned with the holes in the rails so the male screws can connect. Use a flat head screwdriver to help, if needed.



Step 4 / 6

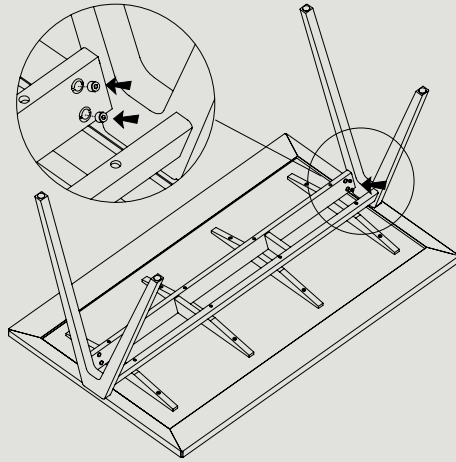
Mount the table legs by carefully inserting the male and female connectors. Some force may be required to squeeze them into place.

Ensure the two wooden surfaces are touching.



Step 5 / 6

Place the pinhole screws in the female connectors to lock in the legs, securing them with the Allen key.



Step 6 / 6

You may now turn the table over onto its four legs. It is recommended that two people complete this task.

