



Domo floor

Design Joe Colombo

Year 1965



Joe Colombo

Prolific Italian architect and designer Joe Colombo, born Cesare Colombo, believed in democratic and functional design, meant to be used in many different ways - all for the benefit of the user. Ahead of his time, Colombo relied on emerging material and the latest technologies to design futuristic "machines for living", many of which have become icons for a new way of living.



The Domo lamp was originally designed by Italian designer Joe Colombo in 1965. Back then he designed three lamps based on the same core shape. Known for his democratic and functional design, his flexible and convertible furniture meant to be used in many different ways - all to the benefit of the user.

Joe Colombo experimented with new materials and the latest technologies and designed futuristic "machines for living", many of which have become icons for a new way of living. One of them is Domo. Colombo often rejected sharp corners and straight lines in favour of curvaceous forms.

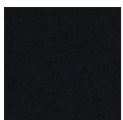
Colours



Black / chrome

Green / chrome

Red / chrome



Black

PRODUCT DATA

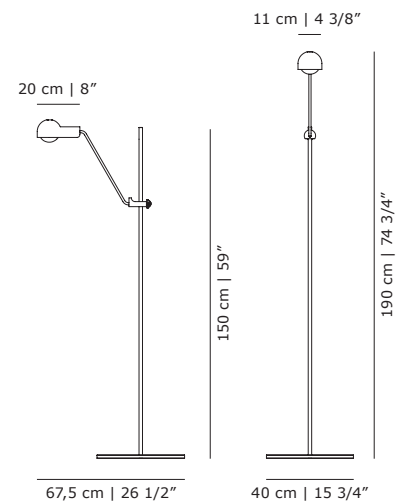
Design	Joe Colombo. 1965
Product type	Floor lamp
Environment	Indoor
Materials	Steel with black powder coating or Base and lamp head in steel with powder coating, arm in chromed steel
Cord	3,5m black PVC cord with on/off switch
Light source	E27 Globe, 28W max (not included)
Certifications	CE

DELIVERY

Lead time	Stock
-----------	-------

ARTICLE CODES

203782	Domo Floor Lamp, black/chrome 230V, EU plug
203785	Domo Floor Lamp, black/chrome 230V, UK adapter
203783	Domo Floor Lamp, green/chrome 230V, EU plug
203786	Domo Floor Lamp, green/chrome 230V, UK adapter
203784	Domo Floor Lamp, red/chrome 230V, EU plug
203787	Domo Floor Lamp, red/chrome 230V, UK adapter





Founded on rebellious curiosity and a passion for the unique, Karakter is a bit out of the ordinary. Always maintaining an international outlook, Karakter presents a striking portfolio of furniture, lighting and objects from designers who have already written the history of design to those who are aspiring to write the future. All designers collaborating with Karakter are curated for their ideas and creativity and shared by all of them is an inspiring level of curiosity and an uncompromising take on their work. Boasting both the relevant and honest, the beautiful, the playful and the expressive, all designs have a clear, undeniable character. Ready to spark curiosity and start conversations.

Head Office

Karakter
Gammel Lundtoftevej 1C
2800 Kongens Lyngby
Denmark

T +45 38 41 41 31
@karaktercopenhagen
info@karakter-copenhagen.com