
Epic Outdoor Dining Table - Round, Ø130

Designed by GamFratesi - 2020



ITEM NUMBER

Epic Outdoor Dining Table - Round, Ø130, Botanic Green Quartzite

10137197

DESCRIPTION

Monumental in form, rich in material expression, and inspired by Classic architecture, the Epic Table is one of the most admired pieces in GUBI's collection. Now, GamFratesi has taken the sculptural beauty of the Epic Collection into the open air, offering a refined setting for alfresco dining. The Epic Outdoor Tables are crafted from quartzite, a natural stone prized for its durability, resilience, and resistance to water and extreme temperatures. As richly textured as the travertine editions, the Botanic Green quartzite tables each feature a unique pattern of veins and striations in black and gray, with clusters of glittering quartz crystal. Both round and elliptical versions are available, seating four and eight people, respectively.

Materials & Finishes

COLOR AND FINISH

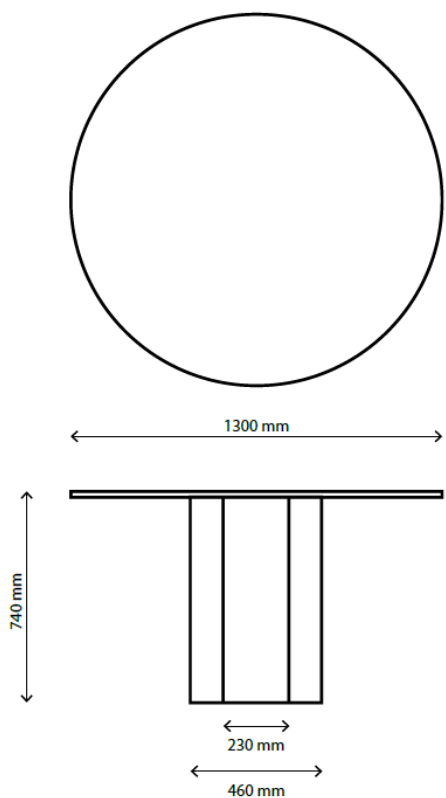
Botanic Green



MATERIALS

Quartzite, Ceramic, Stainless Steel

Dimensions



TABLETOP DIAMETER	130 cm / 51.2 in
BASE WIDTH	46 cm / 18.1 in
HEIGHT	74 cm / 29.1 in
TABLETOP THICKNESS	2 cm / 0.8 in

Weight

TOTAL WEIGHT	150 kg / 330 lbs
BASE WEIGHT	65 kg / 143 lbs
TABLETOP WEIGHT	85 kg / 187 lbs

Packaging

NUMBER OF PARCELS	2
PARCEL 1	
PACKAGING LENGTH	140 cm / 55.1 in
PACKAGING WIDTH	140 cm / 55.1 in
PACKAGING HEIGHT	15,5 cm / 6.1 in
PACKAGING WEIGHT	15 kg / 33lbs
PARCEL 2	
PACKAGING LENGTH	50,5 cm / 19.9 in
PACKAGING WIDTH	54 cm / 21.2 in
PACKAGING HEIGHT	88 cm / 34.6 in
PACKAGING WEIGHT	5 kg / 11 lbs
GROSS WEIGHT	170 kg / 374 lbs

Natural Stone

KEY FEATURES

Quartzite is a durable and visually appealing material for outdoor use, valued for both its natural beauty and resilience. Its inherent color variations ensure that each piece has a unique appearance. Similar to marble, quartzite often displays veining patterns that range from subtle to dramatic, adding depth and texture to the surface. The honed finish can emphasize its natural ruggedness. With its high quartz content, quartzite can exhibit a gentle sparkle or shimmer when light reflects off its surface, providing a sophisticated appearance, especially in bright outdoor settings. Over time, quartzite may develop a weathered patina that complements its surroundings, while its resistance to fading and staining helps maintain its visual appeal over the long term.
